

Fly Hood 60"

Hoods

Code: 2459 911

Ceiling suction hood

Satin finish stainless steel

4 speed

Remote control



DETAILS

Hood type Ceiling suction hood

Hood finishing Satin Finish stainless steel

Dimensions 59 1/16" x 39 3/8"

Control type Remote control

Speed 4 speed

Grease filters Filter in anodized aluminium (5+1 layers)

Charcoal filters Optional

Lighting 4 x 2.1W Led spotlight - 4,000°K

Delay off timer Yes

Light switch Yes

Air Outlet \varnothing 5 ^{29/32}"

Motor Not included - External motor required

Electrical requirements 120VAC – 60Hz

Max Amp usage, power rating 3.7 A

Notes:

False ceiling Required

Minimum height 10 ^{5/8}"

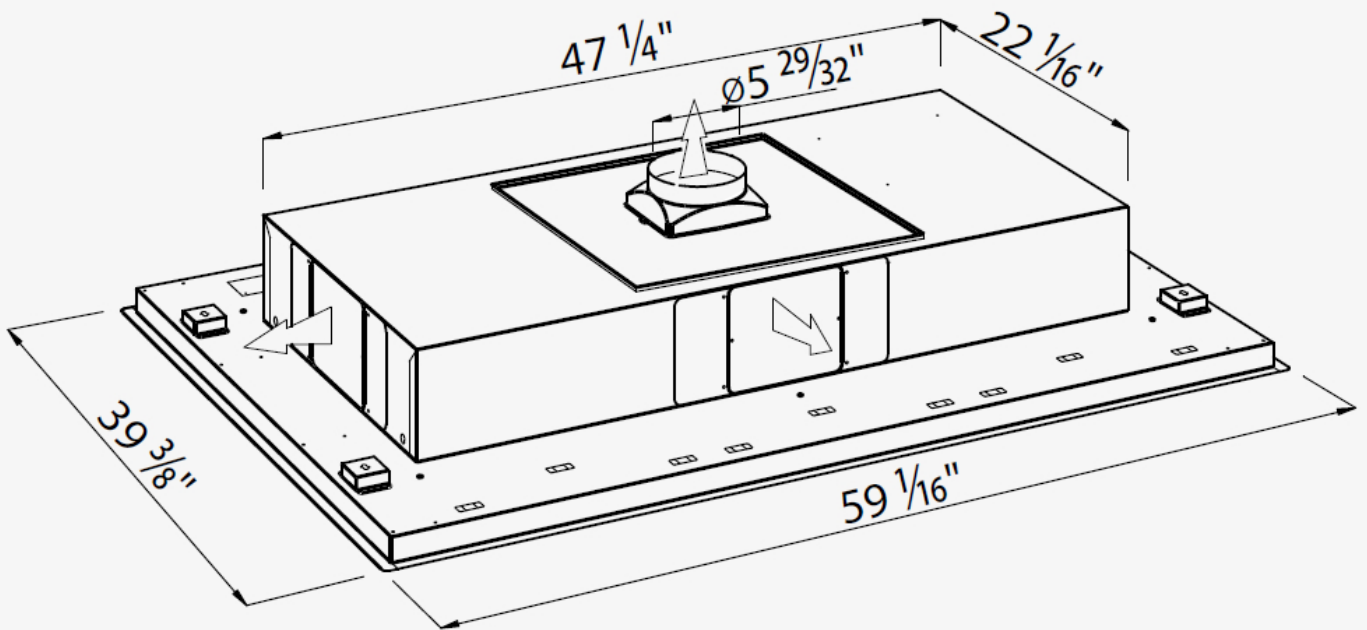
Niche cut out 57 ^{11/16}" x 38"

Accessories 3x Charcoal filters kit - 9700 901

Certifications CSA Certified for US & Canada

Notes: For proper operation of this product, it is essential to combine it with 2459 931 or 2459 941.

TECHNICAL DATA



RECOMMENDED PAIRINGS



Motor for indoor installation
2459 941



Motor for outdoor installation
2459 931